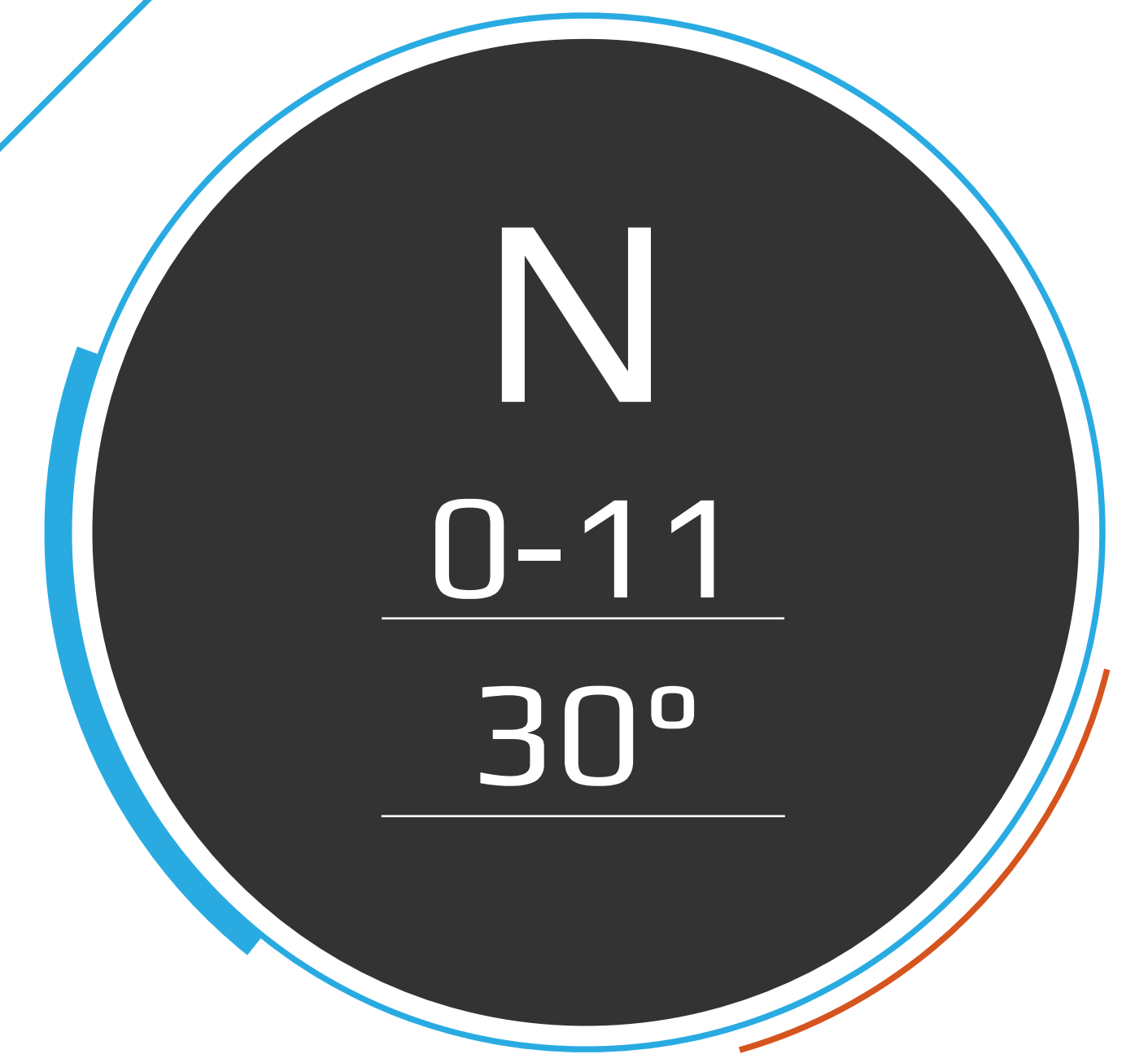


YLDP CODE SWITCH SERIES

YLDP-01N-11-CB-K



YLDP N series have compact and enhanced structure, electrostatic discharge to $\pm 8\text{KV}$. This makes them reliable, stable and durable. Adjusting the coding and positions from customer's specifications, simplify I/O planning, to achieve variable enough for many applications.

FEATURES

- + Double gold-plated contacts, provide stable performance and prevent incorrect signals.
- + Compact and enhanced structure.
- + Coding and positions adjust as customer's requirements, which can reduce stock.
- + Choice of soldering or connector for convenient connection in process.
Type of codes: binary, complementary binary, gray code, complementary gray code and point to point.
- + Step range: 0-11
- + Applications: the mode, axis, multiplier, speed and percentage, etc.
On CNC control panel.
- + Optional: locator and knob.

ORDERING INFORMATION

YLDP - 01 H - 16 - CB - K

SERIES	OUTPUT CODE	STEP ANGLE	STEP RANGE	WIRING METHOD	KNOB
YLDP (Standard)	00=Point to Point	H=13.85°	0-25	0 =Soldering	0=No Knob
YLDAP (With locator)	01=Binary	J =15°	0-23	CB =180° Horizontal wire connector	K=With Knob
	02=Complement Binary	N=30°	0-11		
	03=Gray Code				
	04=Complement Gray				

MAJOR PARAMETERS

ITEM	RATED VALUE
Load resistance	AC 5V 0.5A/50V 0.05A DC 5V 0.25A/25V 0.05A
Contact resistance	$\leq 100\text{m}\Omega$
Insulation resistance	Terminal to terminal $\geq 500\text{M}\Omega$, DC250V/1min. Terminal to ground $\geq 500\text{M}\Omega$, DC500V/1min.
Withstanding voltage	Terminal to terminal $\geq \text{AC}250\text{V}/1\text{min.}$ Terminal to ground $\geq \text{AC}1500\text{V}/1\text{min.}$
Electrostatic discharge	$\pm 8\text{KV}$
Durability	Contact resistance $\leq 150\text{m}\Omega$ Rotation over 50000 times Resistance AC250V/50mΩ/1min.
Working temperature	-20°C to 70°C (-4°F to 158°F)
Storing temperature	-40°C to 70°C (-40°F to 158°F)

N Series Code and Truth Tables(360°/12=30°)

INH=inhibit signal, P=parity signal, ●=ON (contact to common signal),
A,B,C,D,E,F,G=terminal signal

CODE=01N

Terminal No.	Code Output	Switch Position											
		00	01	02	03	04	05	06	07	08	09	10	11
A	1		●		●		●		●		●		●
F	2			●	●			●	●			●	●
B	4					●	●	●	●				
E	8									●	●	●	●
C	P		●	●		●			●	●			●
G	INH	●	●	●	●	●	●	●	●	●	●	●	●
D	COM												

CODE=02N

Terminal No.	Code Output	Switch Position											
		00	01	02	03	04	05	06	07	08	09	10	11
A	1	●		●		●		●		●		●	
F	2	●	●			●	●			●	●		
B	4	●	●	●	●					●	●	●	●
E	8	●	●	●	●	●	●	●					
C	P		●	●		●			●	●			●
G	INH	●	●	●	●	●	●	●	●	●	●	●	●
D	COM												

CODE=03N

Terminal No.	Code Output	Switch Position											
		00	01	02	03	04	05	06	07	08	09	10	11
A	1		●	●			●	●			●	●	
F	2			●	●	●	●				●	●	
B	4					●	●	●	●	●	●	●	●
E	8									●	●	●	●
C	P		●		●		●			●			●
G	INH												
D	COM												

CODE=04N

Terminal No.	Code Output	Switch Position											
		00	01	02	03	04	05	06	07	08	09	10	11
A	1	●			●	●			●	●			●
F	2	●	●					●	●	●	●		
B	4	●	●	●	●								
E	8	●	●	●	●	●	●	●					
C	P		●		●		●			●			●
G	INH												
D	COM												

+ When the code switch working, the starting position will coincide to the ending position. Without setting the self-tapping screw, the actual working range is 0-10 (11 positions).

+ Setting two self-tapping screws, the actual working range is 0-9 (10 positions).

CODE=00N

Terminal No.	Code Output	Switch Position											
		00	01	02	03	04	05	06	07	08	09	10	11
A	1		●										
B	2			●									
C	3				●								
E	4					●							
F	5						●						
G	6							●					
D	COM												

+ When the code switch working, the starting position will coincide to the ending position. Without setting the self-tapping screw, the actual working range is 0-6 (7 positions).

+ Setting two self-tapping screws, the actual working range is 0-5 (6 positions).

Switch position code and signal table:

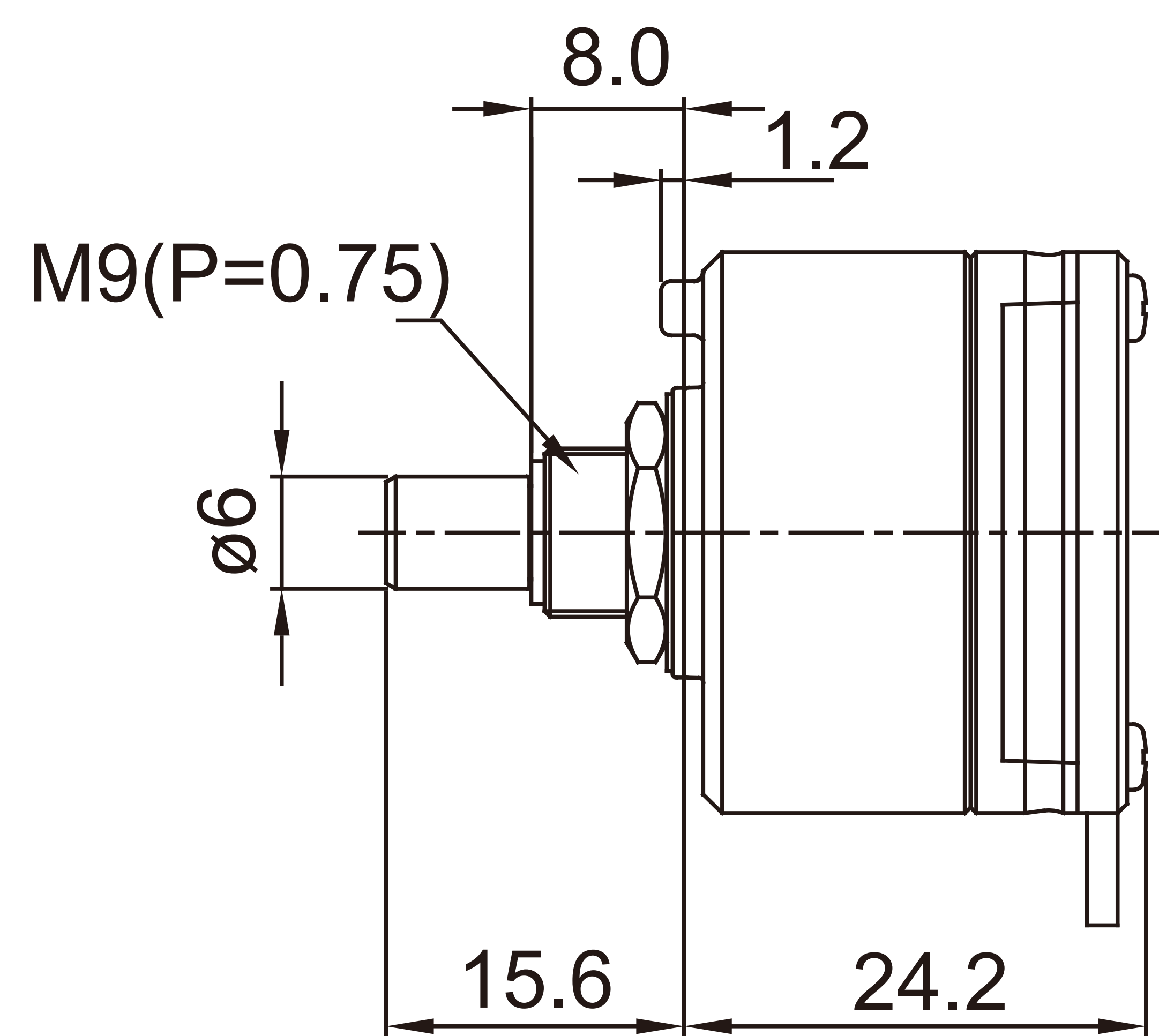
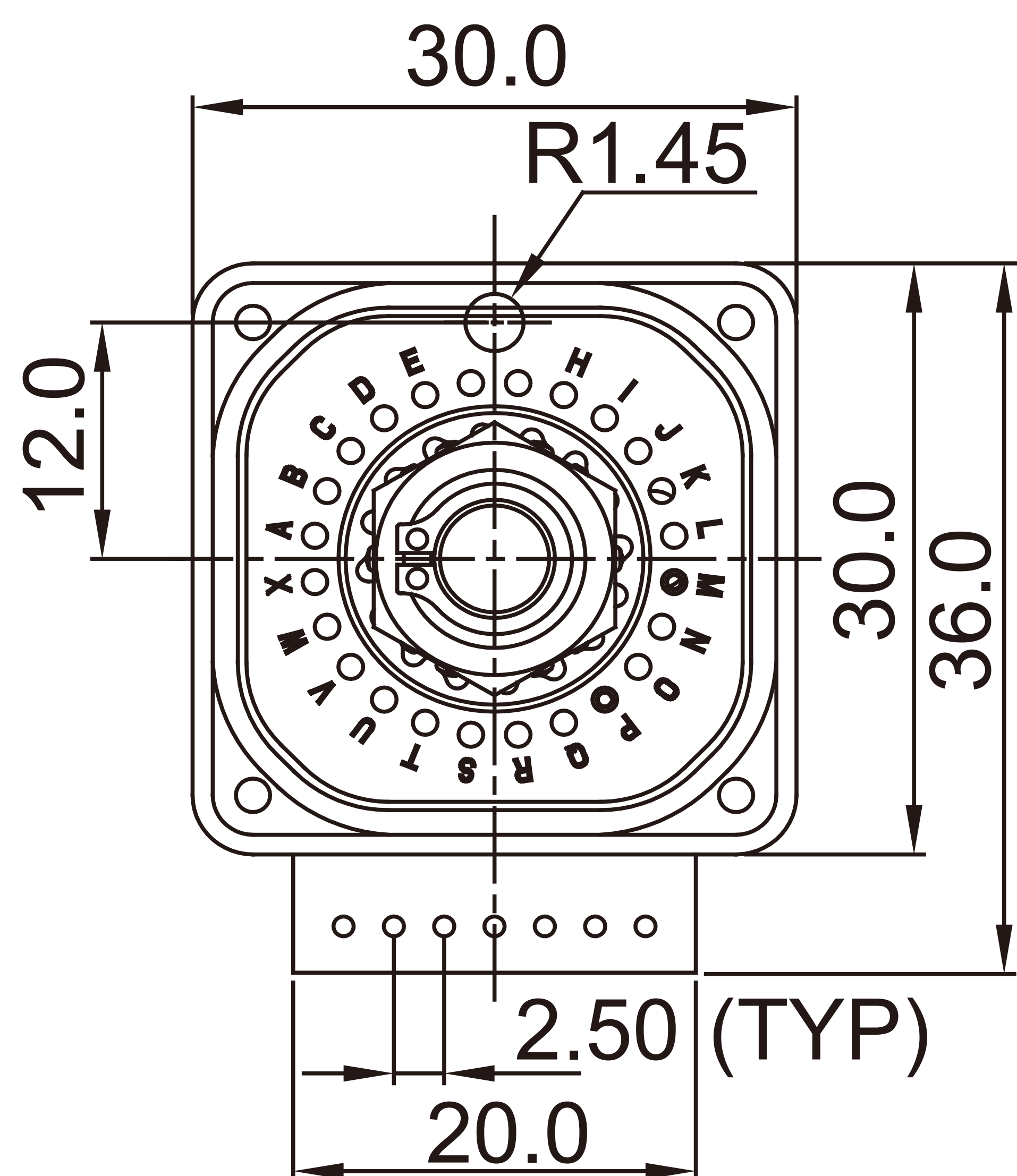
Position	00	01	02	03	04	05	06	07	08	09	10	11
Starting	A	C	E	G	I	K	M	O	Q	S	U	W
Ending	C	E	G	I	K	M	O	Q	S	U	W	A

+ Setting the position: for example, YLDP-01N-04-CB-0 means output code is Binary, step angle is N(30°), the starting position 00(A), the ending position 04, 180°Horizontal wire connector, without the knob.

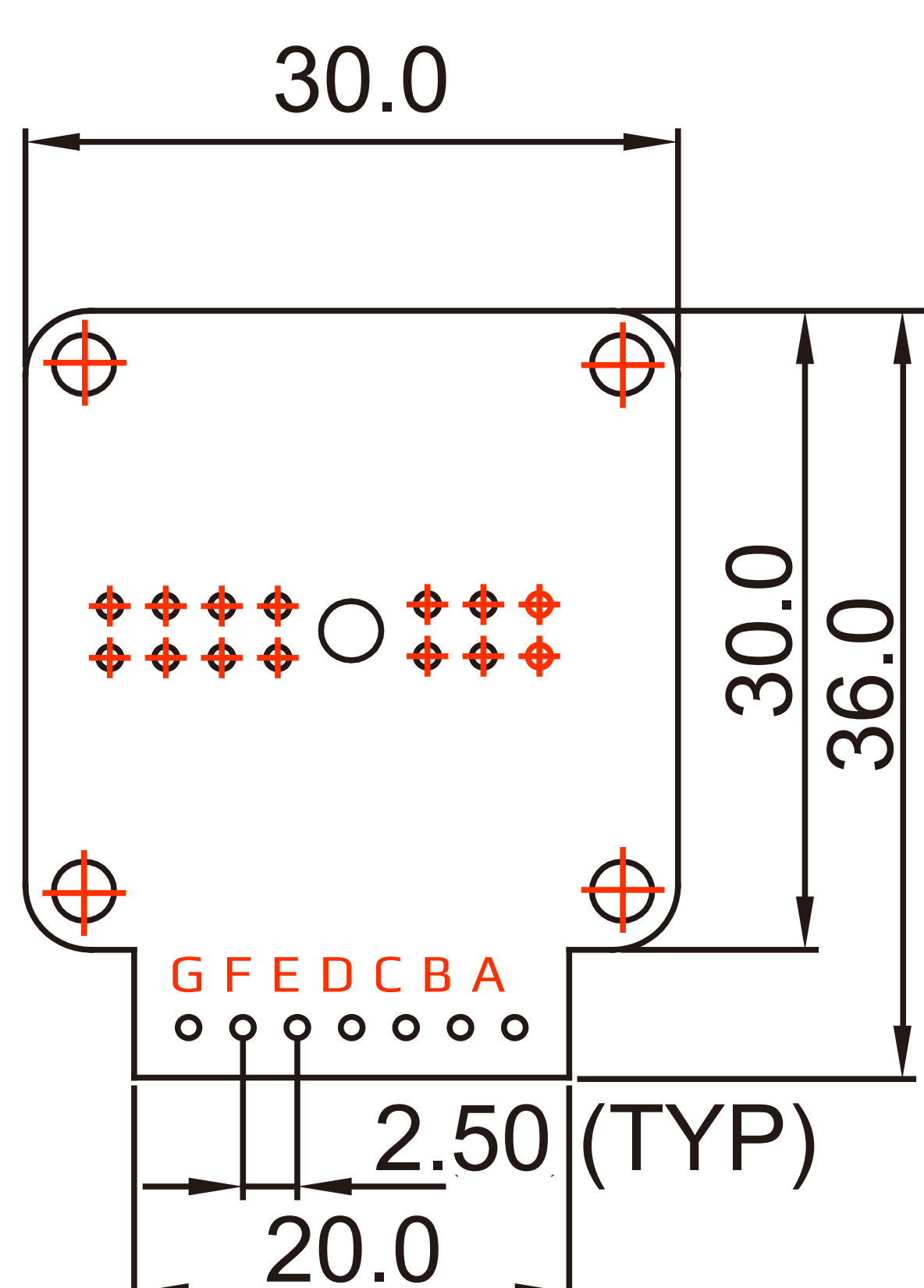
1. According to the table, choose the starting position(A) and the ending position, and then set the ending code.
2. Put the first self-tapping screw at starting position(A), and then turn the switch spindle anticlockwise till the end, finally put the second self-tapping screw at the ending code position.

DIMENSION DRAWING(mm)

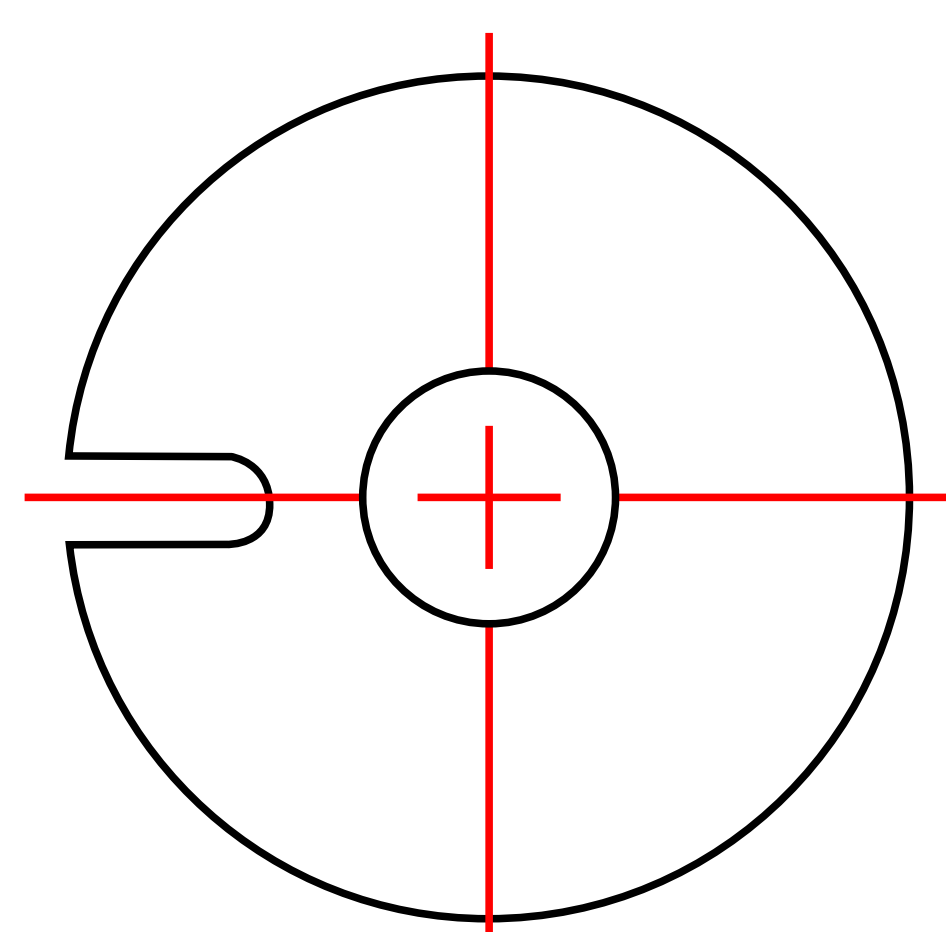
DIMENSION DRAWING



TERMINAL NUMBER

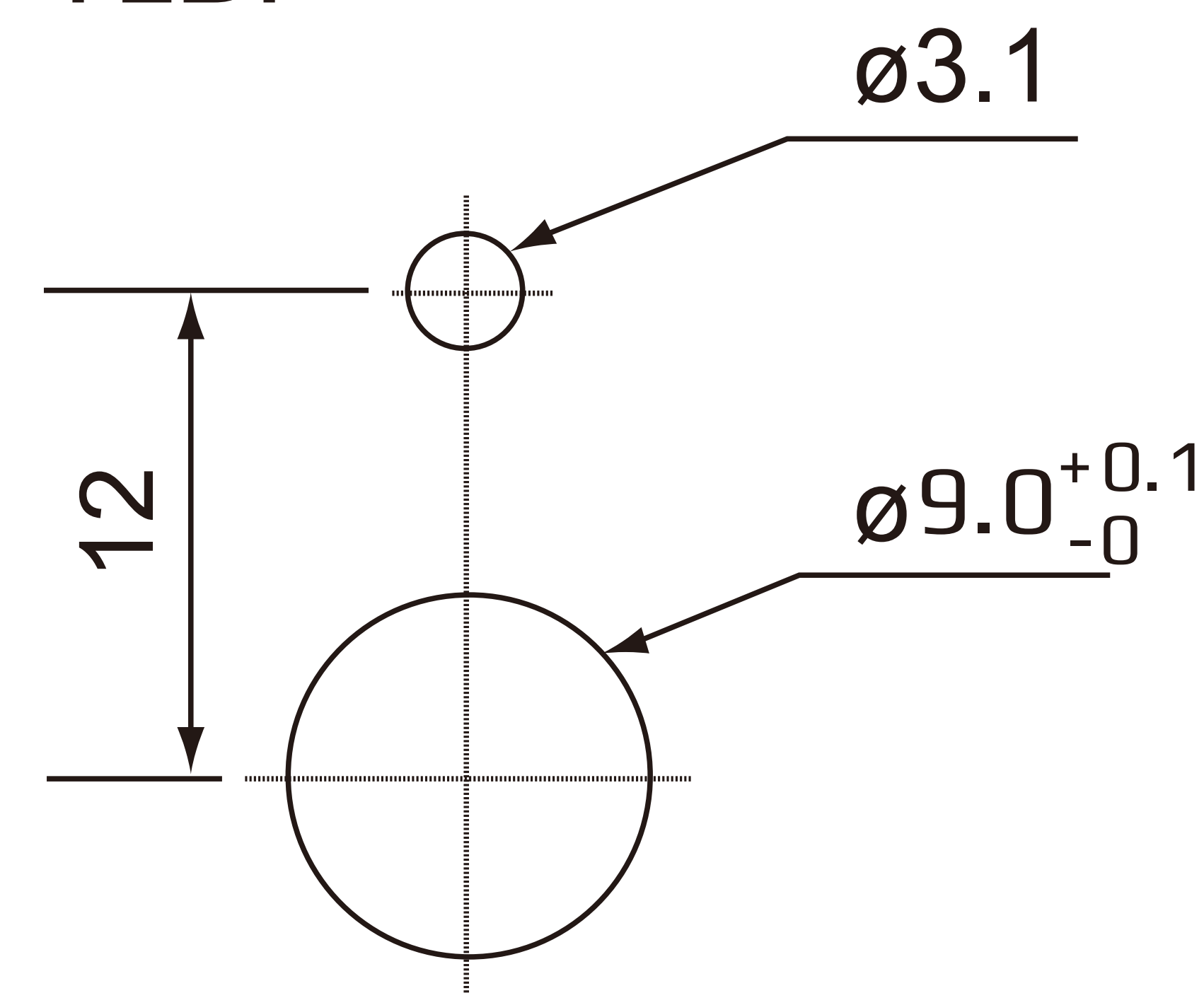


LOCATOR

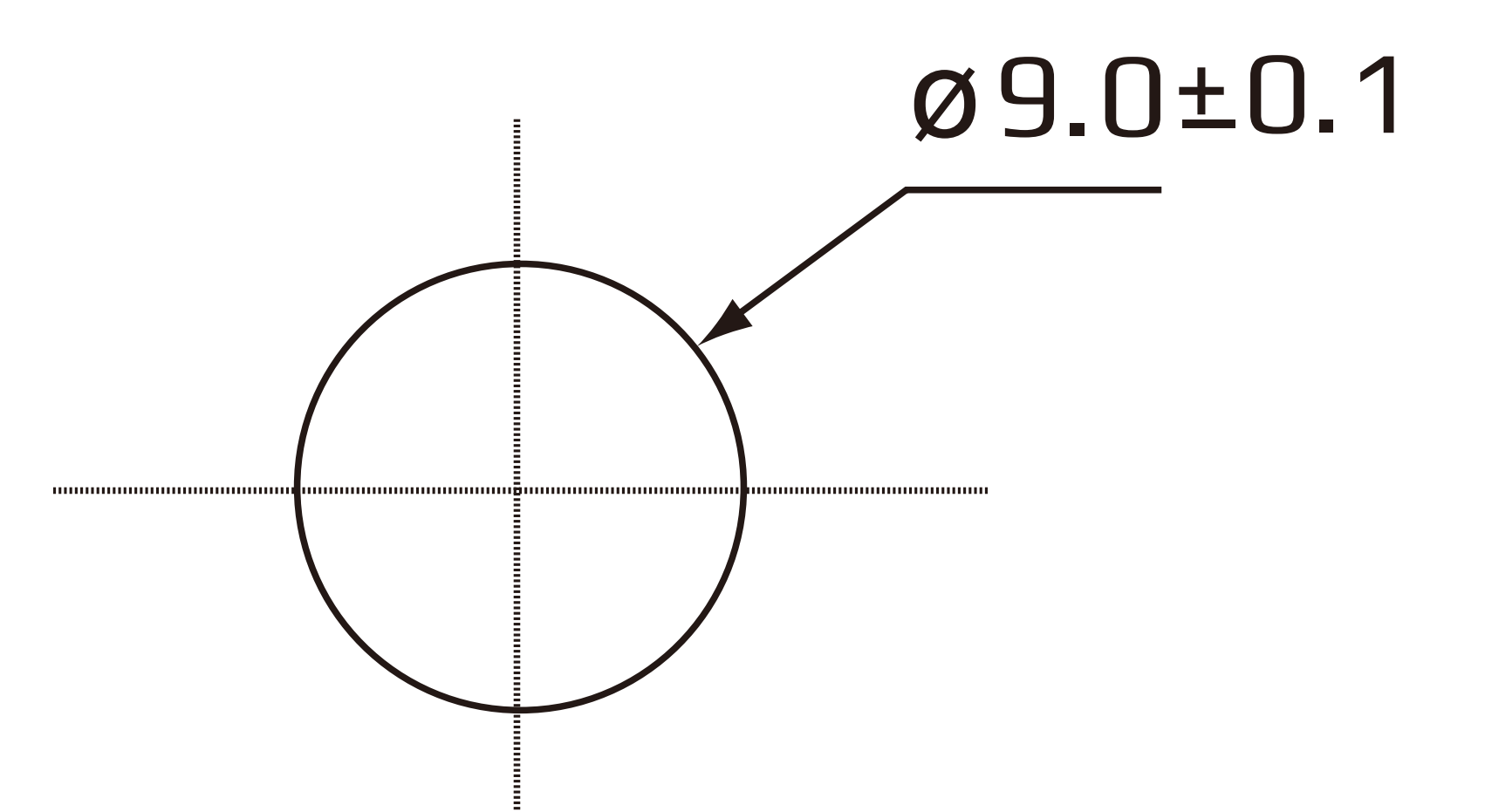


CUTOUT DIMENSION

YLDP



YLDAP



CAPABILITY COMPARISON

ITEM	YLDP series	Japanese Brand	Other brand made in TW
Point to Point	✓	✓	✓
Binary	✓	✓	✓
Complementary Binary	✓	✓	✓
Gray Code	✓	✓	✓
Complementary Gray	✓	✓	✓
Adjustable Position	✓	✓	✓
Soldering or connector	✓	✓	✓
Rotations	≥ 50000 times	≥ 50000 times	≥ 50000 times
Durability (AC)	5V 0.5A 50V 0.05A	5V 0.5A 48V 0.05A	5V 0.5A 50V 0.05A
Durability (DC)	5V 0.25A 25V 0.05A	5V 0.25A 25V 0.05A	5V 0.25A 25V 0.05A
Contact resistance	≤ 150mΩ	≤ 150mΩ	≤ 100mΩ
Terminal to terminal	AC250V/1min	AC250V/1min	AC250V/1min
Terminal to ground	AC1500V/1min	AC1500V/1min	AC1500V/1min
Rotational torque	0.1-0.2N	0.1-0.2N	-
Stopper strength	3N*m	3N*m	3N*m
Working temperature	-20°C ~ +70°C	-20°C ~ +70°C	-
Storing temperature	-40°C ~ +70°C	-40°C ~ +70°C	-
Dustproof	Sealed IP65	Exposed	Exposed
PCB ENIG ranking (Electroless Nickel Immersion Gold)	1	1	2
Dimension	30*36	30*36	38*36
Electrostatic discharge 3KV	Available	Available	Available
Electrostatic discharge 5KV	Available	Available	X
Electrostatic discharge 8KV	Available	X	X

*The specification or contacts in this chart are subject to change without notice.

<https://www.yeulian.com/>

CERTIFICATION



PRODUCT CERTIFICATION
BODY

CEPROM[®] S.A.

440240 Satu Mare, str. Fântânele, f.n., Romania
tel. +40.0361.804795; fax +40.0361.804796
www.ceprom.ro; e-mail: ceprom@ceprom.ro

CERTIFICATE OF CONFORMITY

No. 1524-CI-32018

Technical File no. 1524-CI-32018/YL-2018002L-A1

Applicant: YEU-LIAN ELECTRONICS CO., LTD. No.1122, Zhongke Rd., Daya Dist., Taichung City 428, Taiwan (R.O.C.)	Manufacturer: YEU-LIAN ELECTRONICS CO., LTD. No.1122, Zhongke Rd., Daya Dist., Taichung City 428, Taiwan (R.O.C.)
---	--

Description of product:

Product name: **CODE SWITCH**

Models: **See Annex**

Reference standards: **EN 60947-1:2007+A2:2014**

Based on our assessment we confirm that the Technical File of the product is in accordance with the technical requirements of the above standards and hence fulfils the technical requirements of the

Low Voltage Directive 2014/35/EU

The CE mark as show joined can be used, under the responsibility of the manufacturer or the importer, after completion of the CE Declaration of Conformity and in accordance with the above directive.



This certificate is only valid for the product and configuration described (annex), in conjunction with the detailed test data and with all applicable legal requirement for the product.

Maintaining certification is based on compliance with the requirements of certification contract.

Annex: Product identification – 2 pages

Issuing Date: 08.08.2018



EUROPEAN UNION
Satu Mare, ROMANIA

GENERAL MANAGER
eng. Cristian SOPONOS



CEPROM-CERT Manager
eng. Vasile ZELE

E.S.

Partial reproduction of this certificate is not allowed
This Certificate of Conformity is valid only if it is published on the site www.ceprom.ro



YEU-LIAN
ELECTRONICS Co., Ltd

No. 1122, Zongke Rd., Daya Dist.,
Taichung City, 42881 Taiwan(R.O.C.)

For more information please contact us
+886-4-25671940
sales@yeulian.com